

S4726E/S4732E

ELECTRIC SLAB SCISSOR LIFTS



- Self-propelled electric scissor lifts
- Compact & robust
- Roll-out extension decks for extra reach
- Suitable for indoor and outdoor use
- Ideal for construction & maintenance applications

snorkel
www.snorkellifts.com

ELECTRIC SLAB SCISSOR LIFTS

S4726E/S4732E

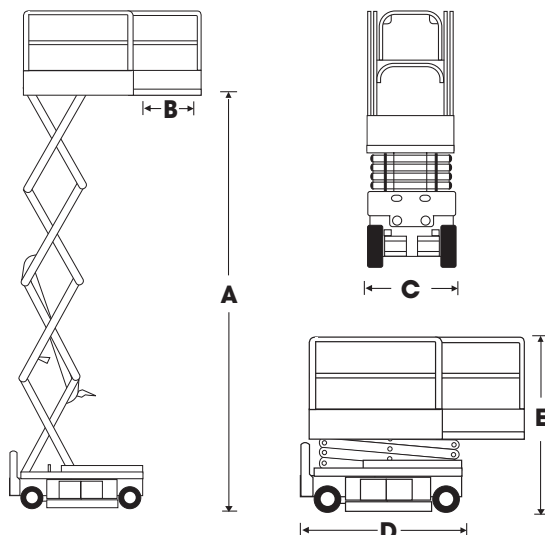
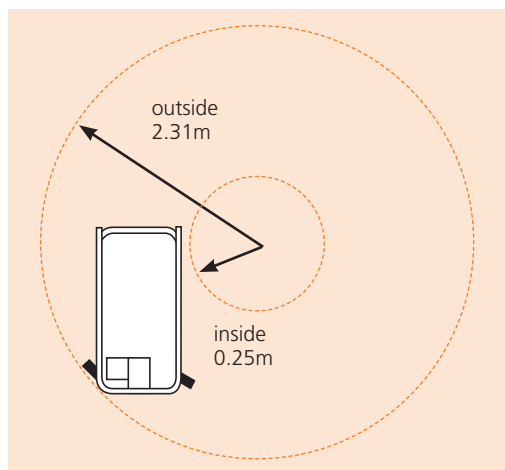
| DIMENSIONS | S4726E | S4732E |
|---------------------------------|---------------|---------------|
| Max. working height | 9.9m | 11.8m |
| Max. platform height (A) | 7.9m | 9.8m |
| Platform size (stowed) | 2.14m x 1.05m | 2.14m x 1.05m |
| Platform size (extended) | 3.4m x 1.05m | 3.4m x 1.05m |
| Extension deck length (B) | 1.21m | 1.21m |
| Overall length (with step) (D) | 2.3m | 2.3m |
| Overall length (without step) | 2.26m | 2.26m |
| Overall width (C) | 1.19m | 1.19m |
| Stowed height (E) | 2.3m | 2.39m |
| Min. height (guardrails folded) | 1.85m | 1.94m |
| Ground clearance (stowed) | 76mm | 76mm |
| Ground clearance (elevated) | 19mm | 19mm |

| PERFORMANCE | S4726E | S4732E |
|-----------------------------|---------------------------|---------------------------|
| Platform capacity | 454kg | 318kg |
| Max. drive height | 7.9m | 9.8m |
| Max. wind speed | 12.5m/s | 12.5m/s |
| Max. drive speed (elevated) | 0.6km/h | 0.6km/h |
| Max. drive speed (stowed) | 3.2km/h | 3.2km/h |
| Raise/lower time | 40/50 sec | 50/60 sec |
| Gradeability | 25% | 25% |
| Inside turning radius | 0.25m | 0.25m |
| Outside turning radius | 2.31m | 2.31m |
| Tyres | 15 x 5 non-marking rubber | 15 x 5 non-marking rubber |
| Controls | proportional | proportional |
| Drive system | 2 wheel drive | 2 wheel drive |

| POWER | S4726E | S4732E |
|--------------|-------------------------|--------|
| Power source | 24V DC battery electric | |
| Charger | 90-240V, 25amp | |

| WEIGHT | S4726E | S4732E |
|--------|---------|---------|
| Weight | 2,216kg | 2,740kg |

TURNING RADIUS



STANDARD FEATURES

- Roll-out deck extension with dual locks
- Non-marking tyres
- Loading control pendant
- Swing-out service trays
- Saloon-door style entry gates
- Descent alarm
- All motion alarm
- Key switch
- 2 persons + equipment capacity indoor
- 1 person + equipment capacity outdoor
- Proportional controls, including descent
- Power line to platform
- Hour meter & onboard diagnostics display
- Integrated battery charger
- Battery condition indicator
- Crane & forklift points
- Dual lanyard attachments points
- Flashing amber light
- Scissor stack roller slide plates (set of 2)
- 2 year parts & labour, 5 year structural warranty
- CE approved

OPTIONS

- Special paint colours
- Airline to platform
- Aircraft bumpguard package
- Panel carrier
- Environmental hydraulic oil

snorkel

Vigo Centre, Birtley Road,
Washington, Tyne & Wear,
NE38 9DA, U.K.

t: +44 (0) 845 1550 057
e: sales@snorkellifts.com

www.snorkellifts.com